

# CHEMICAL MIXER TCMD

Most advanced agitator



Optimal for  
chemical agitation  
in semiconductor  
processes

CEMCO

# Adoption of DC brushless motor rotation speed can be controlled by external signals.

This is an energy-saving agitator that is designed and manufactured by applying shipbuilding technology and agitates with a high-efficiency ultra-small impeller.

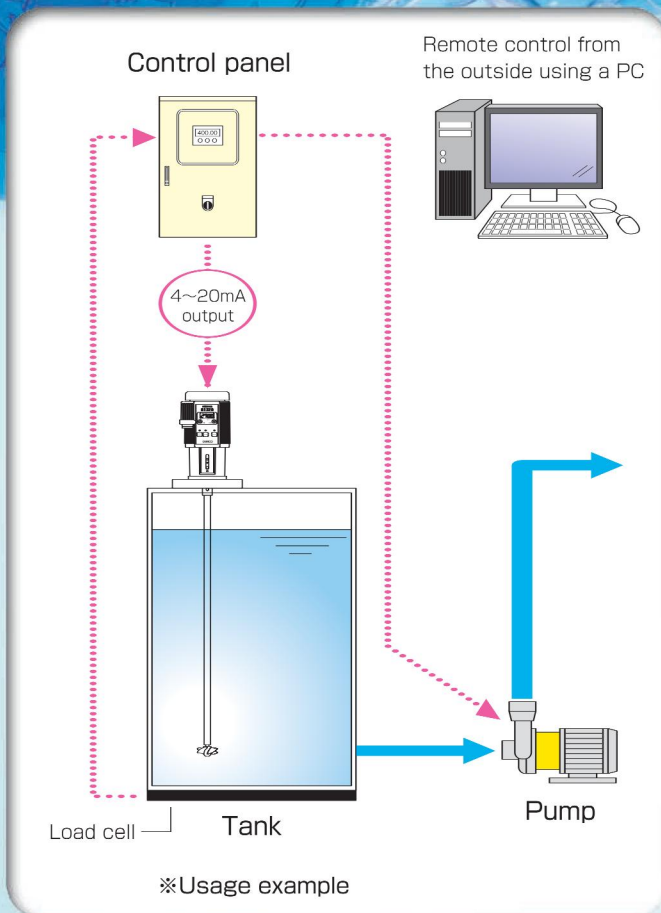
## ■ Main application

- Semiconductor
- Chemical
- Cosmetics
- Surface process
- Food
- Testing device

Since AES resin is used for the main body, it is **compact and light-weight.**



※Example of installation



**High-efficiency impellers and stators provide efficient agitation** because of little turbulence on the water surface.

**Fine control** at 10 rpm increments is possible.

**The rotation speed can be controlled** in proportion to the liquid volume by external signals from a liquid level gauge, load cell, etc.



Maximum mixing capacity is  
**500L**



### Use of brushless motors

eliminates the need for maintenance such as brush replacement.

TCMD-80□□-N

There are no consumables such as bearings.

It can be easily installed in a commercially available tank with a special adapter.

### External signals can be selected

from 4-20mA or 0-5V.

TCMD-80□□-P

Installation on commercially available drums, non-assembly integral type.

### There is no fear of oil leakage

because the gears and other reduction gears are not used.

The output of the error signal allows the sequencer to

**control agitation both manually and externally.**

### Control panel

One-touch connector can be easily attached and detached.

Illuminate when controlled by an external signal

Change the control method

### CHEMICAL MIXER

2700

min<sup>-1</sup>

LOW

HIGH

Control Change

Err Reset

ON/OFF

CEMCO

Displaying the Current Rotation Number with LED

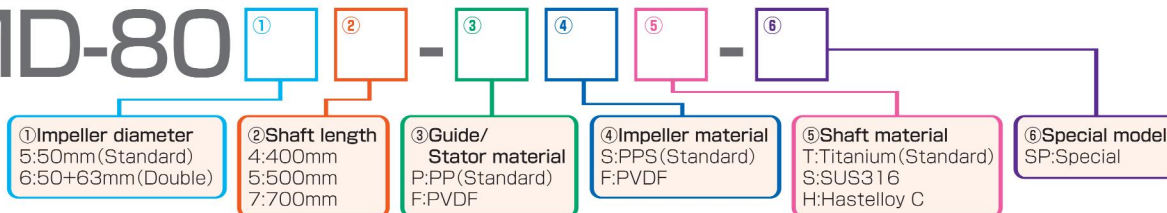
Manual operation of rotation speed

LED illuminates during rotation

Illuminate with overload

Overload reset switch

# TCMD-80



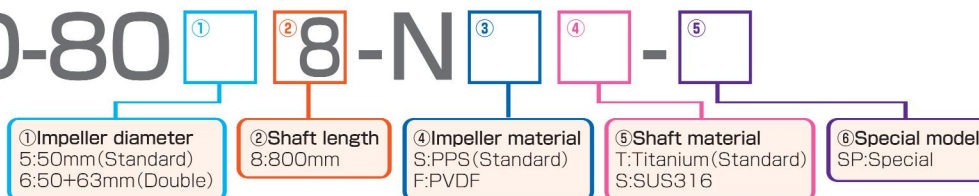
**Specification**

Model	Voltage	Maximum power	Rotation speed	Impeller diameter	Install	Maximum mixing capacity	Weight	Cable length
TCMD-805□-P	DC24V	80W	450~2700rpm	50mm	JIS5K50A	200L	約1.8kg	2m
TCMD-806□-P			450~2300rpm	50mm+63mm	JIS5K50A	500L		

※The stirring capacity is for water. ※For model TCMD-80□□-P, it is possible to install with 2" screw if flange is detached.

**型式選定**

# TCMD-80

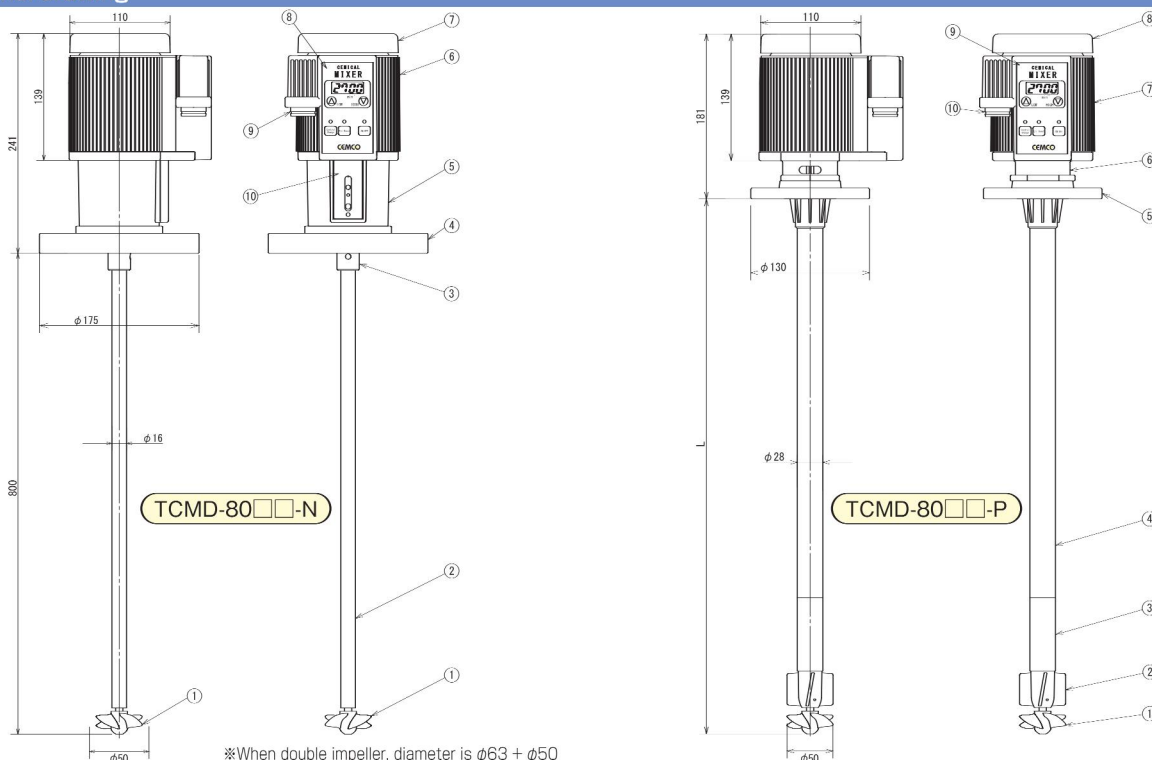


**Specification**

Model	Voltage	Maximum power	Rotation speed	Impeller diameter	Install	Maximum mixing capacity	Weight	Cable length
TCMD-805□-N	DC24V	80W	1000~2700rpm	50mm	JIS10K65A	200L	約3.2kg	2m
TCMD-806□-N			1000~2300rpm	50mm+63mm	JIS10K65A	500L		

※The stirring capacity is for water. ※Do not use it in the sympathetic vibration range. (The sympathetic vibration range depends on the shaft material.)

**Dimensional drawing**



※When double impeller, diameter is φ63 + φ50

No.	Part name	pcs.	Material, etc.
1	Impeller	1	PPS(Standard)
2	Shaft	1	Titanium
3	Spindle	1	SUS303
4	Flange	1	AES(10K65A)
5	Motor base	1	AES

No.	Part name	pcs.	Material, etc.
6	Motor cover	1	AES
7	Top cover	1	AES
8	Control panel	1	PET
9	Connector	1	10 pin
10	Rotary cover	1	AES

No.	Part name	pcs.	Material, etc.
1	Impeller	1	PPS(Standard)
2	Stator	1	PP
3	Bearing	1	PVDF
4	Guide pipe	1	PP
5	Flange	1	AES(5K50A)

No.	Part name	pcs.	Material, etc.
6	Motor base	1	AES
7	Motor cover	1	AES
8	Top cover	1	AES
9	Control panel	1	PET
10	Connector	1	10 pin

**Optional accessory**    ①Power supply    ②Adaptor for drum

## CEM CORPORATION

Head office: 1-10-25 Honkomagome, Bunkyo-ku, Tokyo 1138638  
 Phone:81-3-3946-3335 Fax:81-3-3946-0675

Overseas sales dept.: 4-45-17, Sengoku, Bunkyo-ku, Tokyo 1120011  
 Phone:81-3-3946-3201 Fax:81-3-3946-3210

TAIWAN CEMCORPORATION: 3F, No.56, Sec.2, Jhongcheng Rd., Shilin District, Taipei 111, Taiwan  
 Phone:886-2-2836-8603 Fax:886-2-2832-1148

SHANGHAI CEMCORPORATION: 206 Floor A, 288 Yu Yao Lu Jingan Qu, Shanghai Shi  
 Phone:86-21-6231-7631 Fax:86-21-6230-9736

※ Specifications and appearance may change without prior notice due to improvements.

※ The actual color of the products may be slightly different from that shown in the brochure due to issues of color during printing.

For inquiry